

MPL™ & MPL40™ WRECKERS

SMART DESIGN AND UNRELENTING PERFORMANCE.

All equipment capacities specified are based on structural capacity only and comply with SAE J2512 and SAE J706 Recommended Practices. All measurements and capacities are nominal values.

All outside frame rails extending behind the cab of the chassis must be free of all air tanks, battery boxes, fuel tanks, etc.

The payload and towing capacity of any towing vehicle must meet the following:

- The actual payload on the towing vehicle must not exceed the posted rating and, if applicable, the towed vehicle load must not exceed the posted lift/towing ratings.
- The total weight of the towing vehicle (cab chassis, body, payload, driver, passenger(s), tools, fuel, etc.) and, if applicable, the towed vehicle load must not exceed the GVWR (Gross Vehicle Weight Rating) of the towing vehicle.
- The total weight of the towing vehicle and, if applicable, the towed vehicle load must be distributed so that each axle's GAWR (Gross Axle Weight Rating) is not exceeded.
- The total weight of the towing vehicle and towed vehicle (everything that moves with the towing vehicle) must not exceed the GCWR (Gross Combination Weight Rating) of the towing vehicle.

Staying within these ratings is necessary to maintain the safety and performance of the towing vehicle. Jerr-Dan's authorized sales representatives are available to assist if needed.

Manufactured under one or more of the following U.S. patents: 5,575,606; 5,722,810 and 6,315,515 with other Patents Pending.

Specifications, descriptions and illustrative material contained within this literature are accurate as known at the time of publication, but are subject to change, without notice, as a result of continuous product improvements.

Illustrations may include optional equipment and accessories and may not include all standard equipment. Always check with an authorized sales representative or call 800-926-9666 for current information.

Jerr-Dan and the Jerr-Dan logo are registered trademarks, and MPL, MPL40 and No-Lube are trademarks, of Jerr-Dan Corporation, Greencastle, PA USA. © Copyright Jerr-Dan Corporation, 1080 Hykes Road, Greencastle, PA 17225

800-926-9666 • 717-597-7111 • Fax: 717-593-6183 • www.jerr-dan.com



STANDARD-DUTY WRECKERS MPL™ WRECKER



RUTHLESS WORKAHOLIC

MPL™ WRECKER

The more work the better for Jerr-Dan's MPL self-loader. This wrecker is perfect for repossession work. It offers various best-in-class features: outstanding visibility, longest underlift, patented over-center LOCKLINK mechanism and a modular aluminum body. The standard Adjustable Underlift Level Stop Assist System gets you set up and in position quicker. It provides an interrupt to the remote control signal to stop the underlift travel at a desired loading position. Negative tilt, for those vehicles in ditches or on steep inclines, is also still possible with system override. Go ahead, make it work even harder.

Specifications:

Underlift	
Self-Loading Wheel Grids	4,000 lb capacity
Power Tilt & Fold - Positive / Negative	20° / 20°
Reach with L-Arms, retracted (rear of tailboard to centerline of L-Arms)	49"
Reach with L-Arms, extended (rear of tailboard to centerline of L-Arms)	78"
Centerline of Rear Axle to Rear of Tailboard	36"
Maximum Horizontal Towing Height with L-Arms	31"

Recommended Chassis Requirements

Minimum GVWR	11,000 lbs
Minimum Cab to Axle (clear)	60"
Minimum Frame RBM (each rail)	230,000 in-lbs
Maximum Unloaded Frame Height	36"
Minimum Frame Length Behind Center of Rear Axle	36"

Top Five Reasons To Make This Wrecker Yours

1. The MPL wrecker offers best-in-class visibility. You have a tremendous view of the underlift and crossbar as well as a low profile, tapered rear deck winch mounted below the rear window.
2. The clear deck top offers more space for storage – the most usable flat storage in the industry.
3. The longest underlift reach in its class means it's easier than ever to get long overhang vehicles. And, the negative-tilt feature lets you tow vehicles from ditches or downhill.
4. The patented LOCKLINK over-center L-Arm locking device keeps the arm behind the tire.
5. The standard Adjustable Underlift Level Stop Assist System gets you set up quickly by providing an interrupt to the remote control signal to stop the underlift travel at a desired loading position.

FEATURES



1. Body/Rails/Fender Flares

New modular aluminum body design and rubrails make this unit stylish and allows for easy maintenance. Integrated fender liners and flares are durable and will not rust.



2. High Speed Worm Gear Winch

Durable. Fast. Reliable. Hoses and valves are located for easier servicing.



3. Deck Top

Deck top is clear, offering more space for storage.



4. Tow Sling*

Modular, stowable design for additional towing versatility.



5. Storage

Driver and passenger side tool boxes offer adjustable shelf, durable latches, auto on/off lighting and more space.



6. Adjustable Underlift Level Stop Assist System

This standard feature provides an interrupt to the remote control signal to stop the underlift travel at a desired loading position.



7. Headboard

Stylish new headboard provides greater visibility.



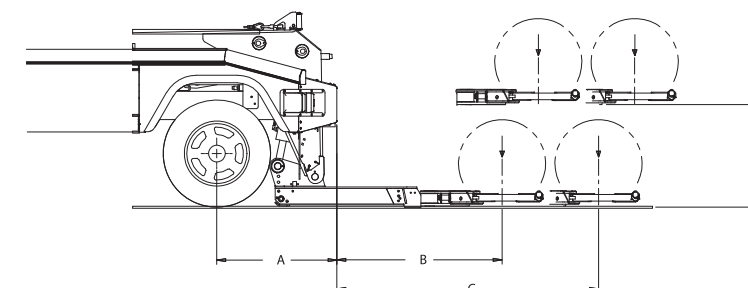
8. Grid Mounted Recovery Sheave*

Sheave comes standard with tow sling option, and is an available option for aid in difficult recoveries.

SPECIFICATIONS

	Distance	Rating
A. Centerline of Rear Axle to Rear of Tailboard	36"	
B. Reach with L-Arms, retracted (rear of tailboard to centerline of L-Arms)	49"	4,000 lbs
C. Reach with L-Arms, extended (rear of tailboard to centerline of L-Arms)	78"	4,000 lbs
D. Maximum Horizontal Towing Height with L-Arms	31"	

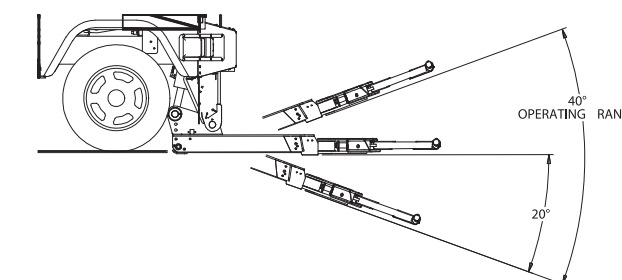
Note: All dimensions are based on a 34.50" truck frame height and rounded to the nearest inch. Dimensions are subject to change without notice.



9. Wireless Remote Control (10 Function)*

Convenient operation of all valve functions, in cab or out.

* Optional Equipment Shown



STANDARD-DUTY WRECKERS MPL40™ WRECKER



NO EXCUSES WARRIOR

MPL40™ WRECKER

No excuses, it gets the job done. With patented technologies and exceptional safety features, Jerr-Dan's MPL40 wrecker gives you the flexibility to tow more and be more productive than you ever thought possible. It's versatile enough for almost any job, with a choice of three wheel-grid packages: Hydraulic Self-Loader, Manual T37 Pivoting L-Arm and Manual L-Arm. The standard Adjustable Underlift Level Stop Assist System for the self-loading wheel grids gets you in position quickly and efficiently, providing an interrupt to the remote control signal to stop the underlift travel at the exact loading position you want. Negative tilt is still possible with system override.

Specifications:

Underlift

Self-Loading Wheel Grids	4,000 lb capacity
Power Tilt & Fold - Positive / Negative	20° / 20°
Reach with Manual L-Arms, retracted (rear of tailboard to centerline of L-Arms)	48"
Reach with Manual L-Arms, extended (rear of tailboard to centerline of L-Arms)	78"
Centerline of Rear Axle to Rear of Tailboard	36"
Maximum Horizontal Towing Height with Manual L-Arms	30"

Recommended Chassis Requirements

Minimum GVWR	11,000 lbs
Minimum Cab to Axle (clear)	60"
Minimum Frame RBM (each rail)	230,000 in-lbs
Maximum Unloaded Frame Height	38"
Minimum Frame Length Behind Center of Rear Axle	36"

Top Five Reasons To Make This Wrecker Yours

1. The MPL40 wrecker from Jerr-Dan is versatile enough for almost any job, with a recovery boom and a tow sling and a choice of three wheel grid packages: Self-loader style, Manual pivoting T37 L-Arm style or Manual L-Arm.
2. The motorcycle towing adapter makes loading and unloading motorcycles easier.
3. Jerr-Dan's exclusive No-Lube™ technology saves maintenance time and costs. Most pivot points are greaseless and the slide pads are ultra-life nylon material.
4. The longest underlift reach in its class means it's easier than ever to get long overhang vehicles. And the negative-tilt feature lets you tow vehicles from ditches or downhill.
5. The patented LOCKLINK over-center L-Arm locking device keeps the arm behind the tire.

FEATURES



1. **Motorcycle Towing Adapter***
Makes one operator loading and unloading of motorcycles easier.



4. **Underlift Clearance**
The 4 1/2" high hydraulic crossbar offers exceptional clearance for even the lowest profile vehicles.



2. **Tow Sling***
Gives the unit additional recovery options for damaged vehicles.



5. **Wheel Grid Optional Packages**
Hydraulic Self-Loader* – low-profile crossbar with friction-adjustable, self-centering feature.



- Manual Pivoting T-37 L-Arm* – includes wheel retaining arm storage, manual-hydraulic controls, and trailer towing adapter.



3. **Boom**
8-ton capacity all-hydraulic integrated boom offers additional reach, allowing more recoveries in multiple situations.



- Manual L-Arm – includes wheel retaining arm storage, manual-hydraulic controls, and trailer towing adapter.

SPECIFICATIONS

	Distance	Rating
A. Centerline of Rear Axle to Rear of Tailboard	36"	
B. Reach with Hydraulic L-Arms, retracted (rear of tailboard to centerline of L-Arms)	52"	4,000 lbs
C. Reach with Hydraulic L-Arms, extended (rear of tailboard to centerline of L-Arms)	81"	4,000 lbs
D. Reach with T37 L-Arms, retracted (rear of tailboard to centerline of L-Arms)	48"	
E. Reach with T37 L-Arms, extended (rear of tailboard to centerline of L-Arms)	77"	
F. Reach with Manual L-Arms, retracted (rear of tailboard to centerline of L-Arms)	48"	
G. Reach with Manual L-Arms, extended (rear of tailboard to centerline of L-Arms)	77"	
H. Maximum Horizontal Towing Height	30"	
I. Boom Reach Off Rear of Tailboard (boom @ 0°)	67"	
J. Boom Working Height to Hook (boom @ 32°)	114"	
K. Boom Maximum Height (boom @ 32°)	135"	

Boom Lift Ratings (SAEJ2512)

	Rating
Boom Retracted @ 30°	16,000 lbs
Boom Extended @ 30°	6,000 lbs

Boom Working Range	0° to 32°
--------------------	-----------

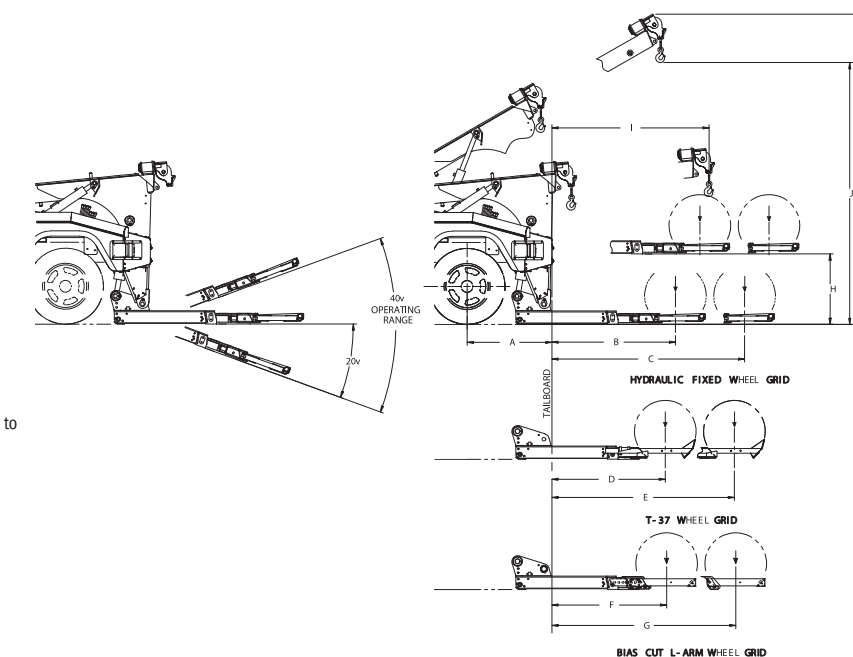
Note: All dimensions are based on a 34.50" truck frame height and rounded to the nearest inch. Dimensions are subject to change without notice.



* Optional Equipment Shown

6. **Wireless Remote Control (8 Function)***

Convenient operation of Underlift controls, in cab or out.



STANDARD EQUIPMENT

FEATURES		MPL	MPL40	
Underlift	Underlift Type	Two Section - Integrated	Two Section - Integrated	
	Power Tilt & Fold	Positive	20°	20°
		Negative	20°	20°
	L-Arm Wheel Grid Type	Self-Loading	Manual	
	Underlift Lift / Tow Rating with L-Arms	Retracted	4,000 lbs / 7,500 lbs	4,000 lbs / 7,500 lbs
		Extended	4,000 lbs / 7,500 lbs	4,000 lbs / 7,500 lbs
	Reach with L-Arms (rear of tailboard to centerline of L-Arms)	Retracted	49"	48"
		Extended	78"	77"
	Maximum Horizontal Towing Height with L-Arms		31"	30"
	Hydraulic Extension		29"	29"
	Patented LOCKLINK Over-Center L-Arm Locking Device, Self-Centering Low Profile Height Crossbar and 90° Lift Approach	X		
	Low Profile Height Crossbar			X
	No-Lube Pivot Joints and Wear Pads (most pivot points)	X		X
	Adjustable Underlift Level Stop Assist System	X		
	Wheel Lift Tie-Down Straps	X		X
	Safety Chains with Boom Storage Pockets	X		X
	Anodized Aluminum Extruded Wheel Spacers (pair) with Tool Compartment Storage	X		
Body Mounted L-Arm Storage			X	
Wrecker Boom	Wrecker Boom Lift Rating @ 30°	Retracted	16,000 lbs	
		Extended	6,000 lbs	
	Boom Reach Off Rear of Tailboard (boom @ 0°)		67"	
	Boom Maximum Working Angle		32°	
	Boom Minimum Working Angle		0°	
	Boom Working Height to Hook (boom @ 32°)		114"	
Winch	Single 8,000 lb High Speed Worm Gear Winch with 3/8" Dia x 75' Long IWRC RRL EIPS Cable, Cable Tensioner Plate, Cable Roller Guide and T-Handle Free Spool Release	X		
	Single 9,000 lb Planetary Gear Winch with 3/8" Dia x 110' Long IWRC RRL EIPS Cable, Cable Tensioner Plate and T-Handle Free Spool Release		X	
Body	Fixed Width Modular Aluminum Body with Polished Diamond Plating and Side Rails	X	X	
	Independently Rubber Shock Mounted Body	X	X	
	Aluminum Light Pylon with Inside Dress-Up Covers	X	X	
	Integrated Fender Liners and Flares	X	X	
	Centerline of Rear Axle to Rear of Tailboard	36"	36"	
Controls	In-Cab Wired Non-Proportional Controls with Accessible Manual Back-Up	X		
	Dual Deck Mounted Fully Proportional Manual Hydraulic Boom and Underlift Controls		X	
Hydraulic System	Hydraulic Valve with Variable Flow Control		X	
	Hydraulic Reservoir with Integrated Oil Level Gauge and Magnetic Clean-Out Provision	X		
	Hydraulic Reservoir with Integrated Oil Level/Temperature Gauge and Magnetic Clean-Out Provision		X	
	10 Micron In-Line Return Filter with Service Indicator Gauge	X	X	
	Chrome Plated Cylinder Rods	X	X	
	System Overload Protection	X	X	
Lighting	FMVSS 108 Light Group Utilizing Weather Resistant Harnesses and Connectors	X	X	
	Marker Lights in Pylon	X	X	
	Auto On/Off Lighted Tool Compartments	X	X	
	Lower Hook-Up Lights (pair)	X	X	
	Receptacle for Auxiliary Tow Lights	X	X	
Paint	Prime Finish	X	X	
Storage	Driver and Passenger Side Tool Compartments with Rotary Paddle Latches, Concealed Stainless Steel Hinges and Adjustable Height Shelf	X	X	
	Trailer Towing Adapter	X	X	
Miscellaneous	Mud Flaps	X	X	
	Back-Up Alarm	X	X	

All dimensions are based on a 34.5" truck frame height and are rounded to the nearest inch. Dimensions subject to change without notice.

OPTIONAL EQUIPMENT

FEATURES		MPL	MPL40	
Underlift	Manual T37 Pivoting L-Arm Wheel Grid Package - Includes Body Mounted L-Arm Storage		X	
	Underlift Lift / Tow Rating with T37 Pivoting Wheel Grids	Retracted	4,000 lbs / 7,500 lbs	
		Extended	4,000 lbs / 7,500 lbs	
	Reach with T37 Pivoting Wheel Grids (rear of tailboard to centerline of L-Arms)	Retracted	48"	
		Extended	77"	
	Maximum Horizontal Towing Height with T37 Pivoting Wheel Grids		30"	
	Hydraulic Extension		29"	
	Self-Loading L-Arm Wheel Grid Package - Includes Patented LOCKLINK Over-Center L-Arm Locking Device, Self-Centering Low Profile Height Crossbar, 90° Lift Approach, In-Cab Wired Non-Proportional Controls for Underlift Functions, Adjustable Underlift Level Stop Assist System and Anodized Aluminum Extruded Wheel Spacers (pair) with Tool Compartment Storage			X
	Underlift Lift / Tow Rating with Self-Loading Wheel Grids	Retracted	4,000 lbs / 7,500 lbs	
		Extended	4,000 lbs / 7,500 lbs	
	Reach with Self-Loading Wheel Grids (rear of tailboard to centerline of grids)	Retracted	52"	
		Extended	81"	
	Maximum Horizontal Towing Height with Self-Loading Wheel Grids		30"	
Hydraulic Extension		29"		
Winch	Dual 8,000 lb High Speed Worm Gear Winches with 3/8" Dia x 110' Long 6 x 25 IWRC RRL EIPS Cables, Remote Free Spool Releases and Cable Tensioner Plates ILO Standard Winch		X	
	Controls	In-Cab Wired Non-Proportional Underlift Controls (includes adjustable underlift level stop assist)		X
Wireless Non-Proportional Controls - All Functions (includes adjustable underlift level stop assist) [10 function remote]		X		
Wireless Non-Proportional Underlift Controls (includes adjustable underlift level stop assist) [8 function remote]			X	
Lighting	High Output Halogen, Strobe or LED Lightbar	X	X	
	Fold Down Lightbar Bracket	X	X	
	LED Stop/Tail/Turn and Marker Lights	X	X	
	Upper Work Lights (pair)	X	X	
	Magnetic Tow Lights	X	X	
	Various In-Dash and Under-Dash Switch Panels	X	X	
Paint	Various Paint Options	X	X	
PTO	Two Gear Cable Shift PTO and Direct Mount Gear Pump with Engagement Indicator Light	X	X	
	Two Gear Air Shift PTO and Direct Mount Gear Pump with Engagement Indicator Light	X	X	
	Two Gear E-Hydra Shift PTO and Direct Mount Gear Pump with Engagement Indicator Light	X	X	
	Two Gear Lectra Shift PTO and Direct Mount Gear Pump with Engagement Indicator Light	X	X	
	Clutch Shift PTO and Direct Mount Gear Pump with Engagement Indicator Light	X	X	
	Engine Driven Hydraulic Clutch Pump	X	X	
	Storage	24" Aluminum Tunnel Tool Compartment (domestic chassis only)	X	X
Towing	Grid Mounted Recovery Sheave	X (standard with tow sling)		
	Light Duty Tow Sling	X	X	
	Self-Loading Dollies with Storage Brackets	X	X	
	Motorcycle Towing Adapter	X	X (self-loading grids only)	
	1 7/8", 2" or 2 5/16" Trailer Ball			
	4,000 lb Lift / 5,000 lb; 5,000 lb; 7,500 lb respective Tow Capacity	X	X	
Miscellaneous	Jump Start Kit	X	X	
	Stainless Steel Wheel Simulators	X	X	
	Steel Push Bumper with Grille Guard	X	X	
	Increased Capacity Aftermarket Fuel Tank (select chassis only)	X	X	
	CAD Plated 3/4" D-Rings	X	X	
	Wheel Chocks with Storage Brackets (pair)	X	X	
	Aluminum Dress-Up Kit	X	X	
	Stainless Steel Dress-Up Kit	X	X	

All dimensions are based on a 34.5" truck frame height and are rounded to the nearest inch. Dimensions subject to change without notice.