

MPL-NGS

Light Duty Wrecker

JERR-DAN®

RUN HARD™



Performance Features

- o Economical Steel Body
 - o Sturdy design offers a clean and streamlined look with excellent visibility
 - o Modular body is versatile and easy to repair
 - o Large tool storage compartments on both sides
 - o Open top deck for additional storage
- o Capable of 90° lift approaches
- o Adjustable level stop assist system stops the underlift at a desired position (Patent Pending)
- o Negative tilt underlift adapts to uneven terrain
- o Over-center LOCKLINK safety mechanism locks wheel retaining arms in full tire-engaged position
- o Low profile grid easily clears all vehicles
- o Optimized mechanism design utilizing high strength materials
- o Oversize pylon provides clear rear visibility
- o In-cab remote control of all functions

Hydraulic System

- o Filter with service indicator gauge
- o System overload protection
- o Hydraulic reservoir with magnetic clean-out and suction strainer

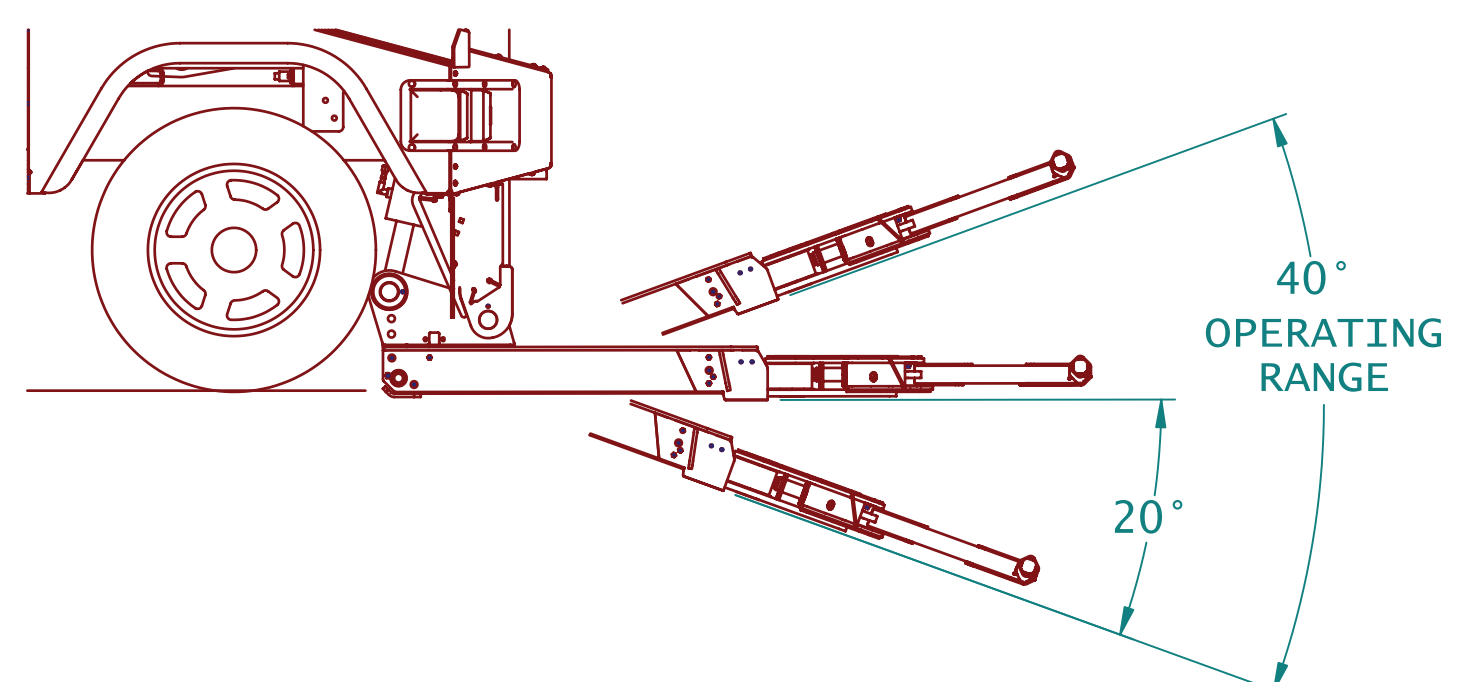
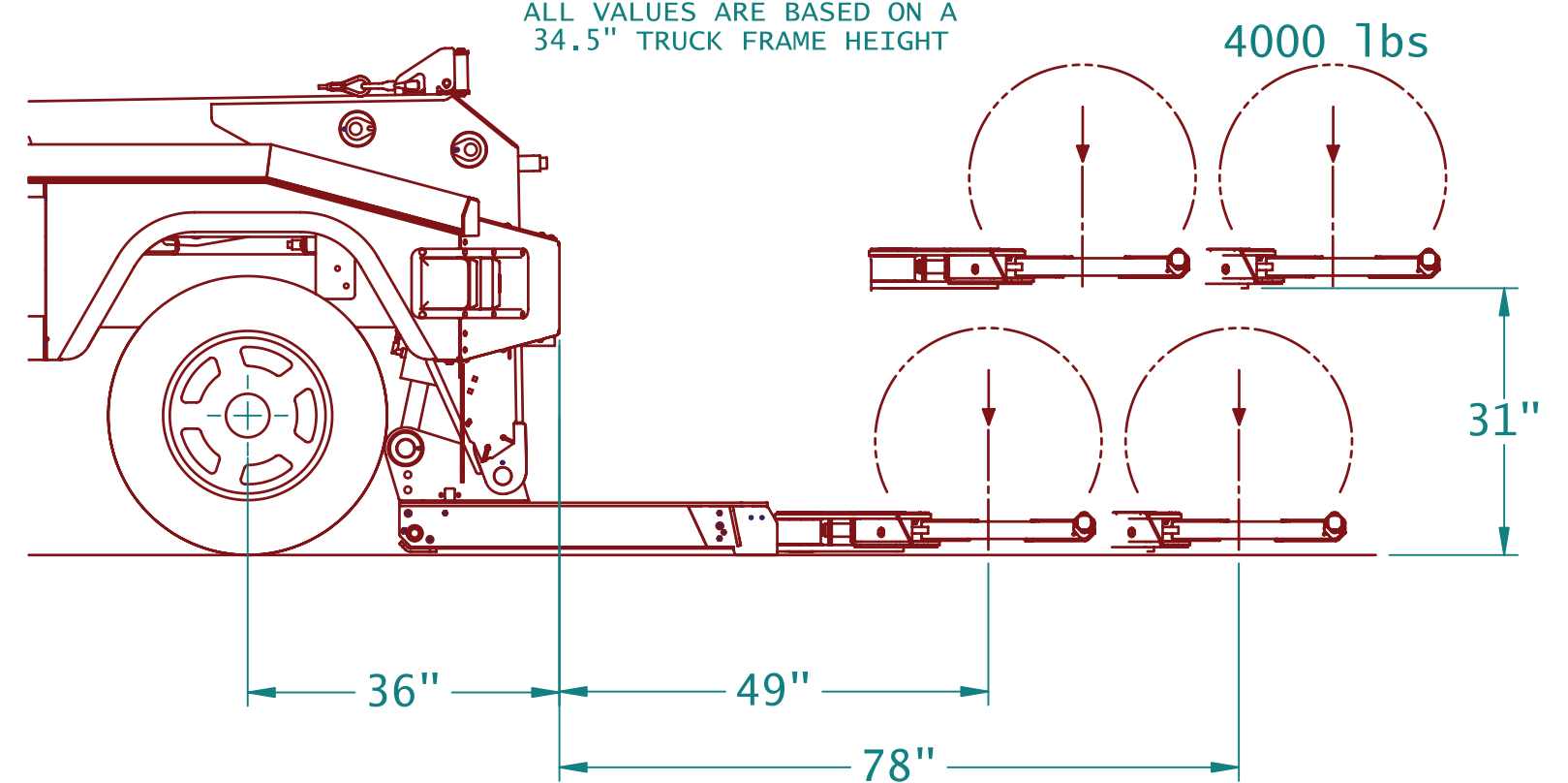
World's Greenest Wrecker

- o Exclusive low-maintenance no-lube high performance joint and slide pad system
- o Industry leading hydraulic filtration system
- o High intensity LED lightbar
- o LED lighting with integrated reflex



HYDRAULIC WHEEL GRID

ALL VALUES ARE BASED ON A 34.5" TRUCK FRAME HEIGHT



Many other options and accessories are available, for more information:

- o Ask a Jerr-Dan Representative
- o Visit us at www.jerr-dan.com

An Oshkosh Corporation Company